



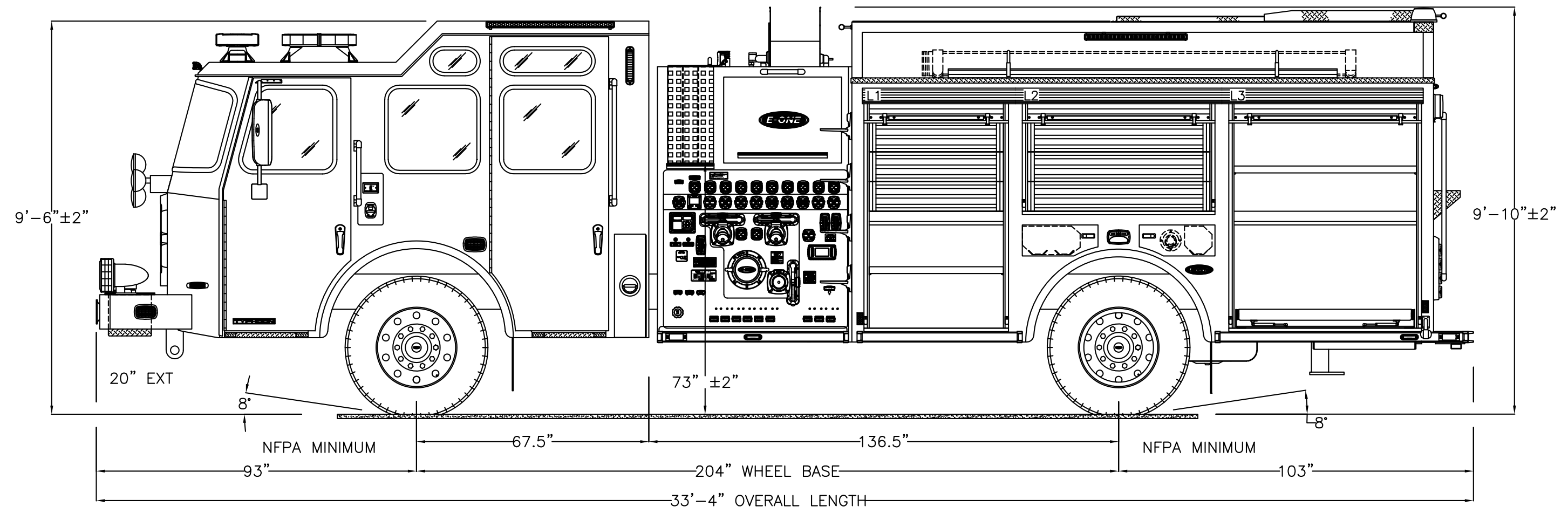
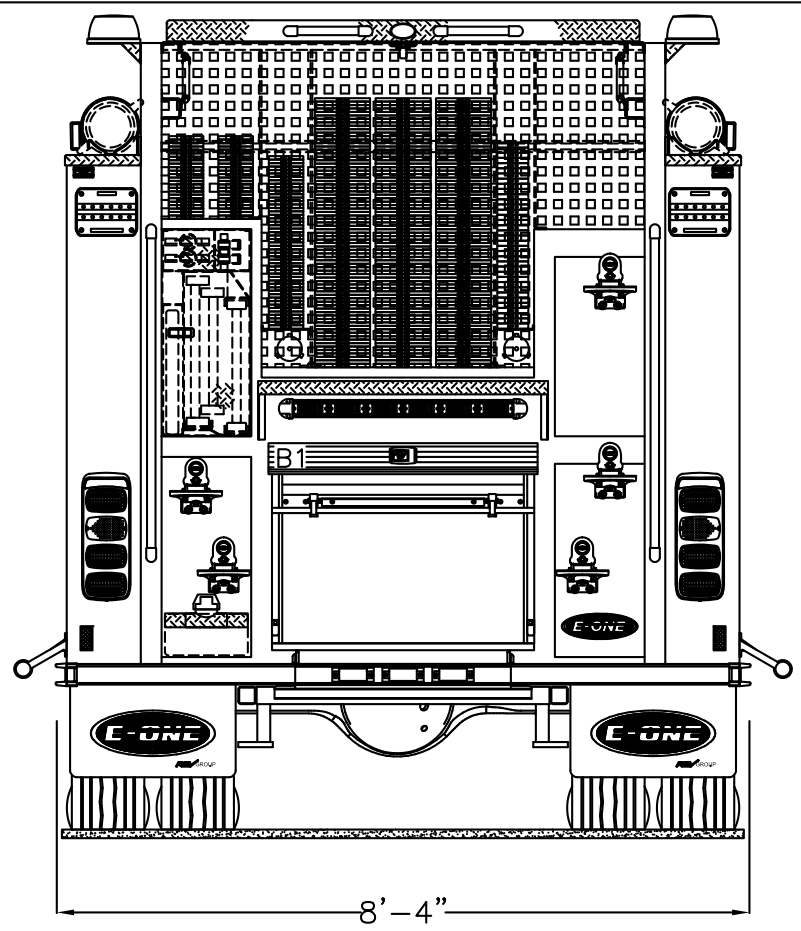
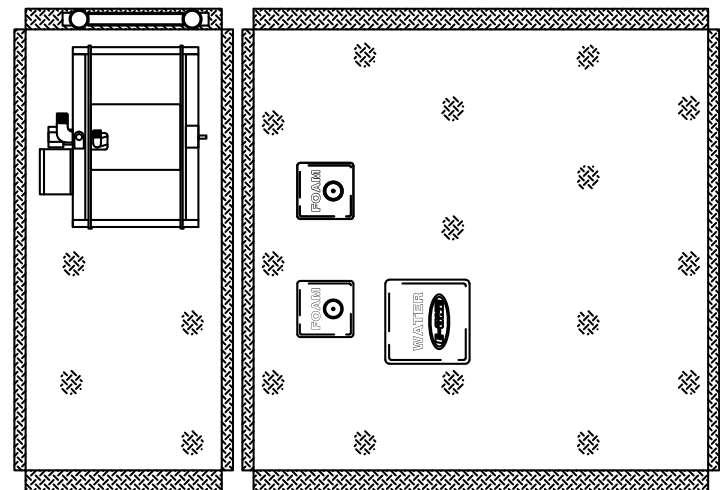
BLOOMSBURG F.D.
BLOOMSBURG, PA
S.O. 144710 / Q105875
PUMPER
TYPHOON 4X2 CHASSIS

1500 GPM HALE QMAX PUMP			HOSE LOAD:		
720 GALLON WATER TANK			200' OF 3.00" DJ		
30 GALLON INTEGRAL CLASS "A" FOAM			200' OF 3.00" DJ		
30 GALLON INTEGRAL CLASS "B" FOAM			1150' OF 5.00" LDH		
			250' OF 2.50" DJ		
COMPT.	OPENING		INTERIOR DIMENSION		
L1	40W	59H	42W	25H	12D UPPER
			42W	30H	26D LOWER
R1	40W	59H	42W	3H	12D UPPER
			42W	56H	26D LOWER
L2	54W	25H	56W	25H	12D
R2	54W	25H	56W	3H	12D UPPER
			56W	22H	26D LOWER
L3	54W	59H	56W	25H	12D UPPER
			56W	30H	26D LOWER
R3	54W	59H	56W	3H	12D UPPER
			56W	56H	26D LOWER
B1	36W	19H	38W	28H	27D

THIS DRAWING IS FOR REFERENCE PURPOSES. ALL DIMENSIONS ARE SUBJECT TO MINOR VARIATIONS DUE TO MANUFACTURING PROCESSES.

This print is the property of E-ONE, Inc. and is loaned to you subject to return on demand, unless otherwise agreed to in writing by E-ONE, Inc. Its contents are confidential and must not be copied or submitted to third parties for use or examination.

HOSEBED HEIGHT:
 (FOR REFERENCE ONLY)
 TO TAILBOARD: 43"
 TO GROUND: 67±2"

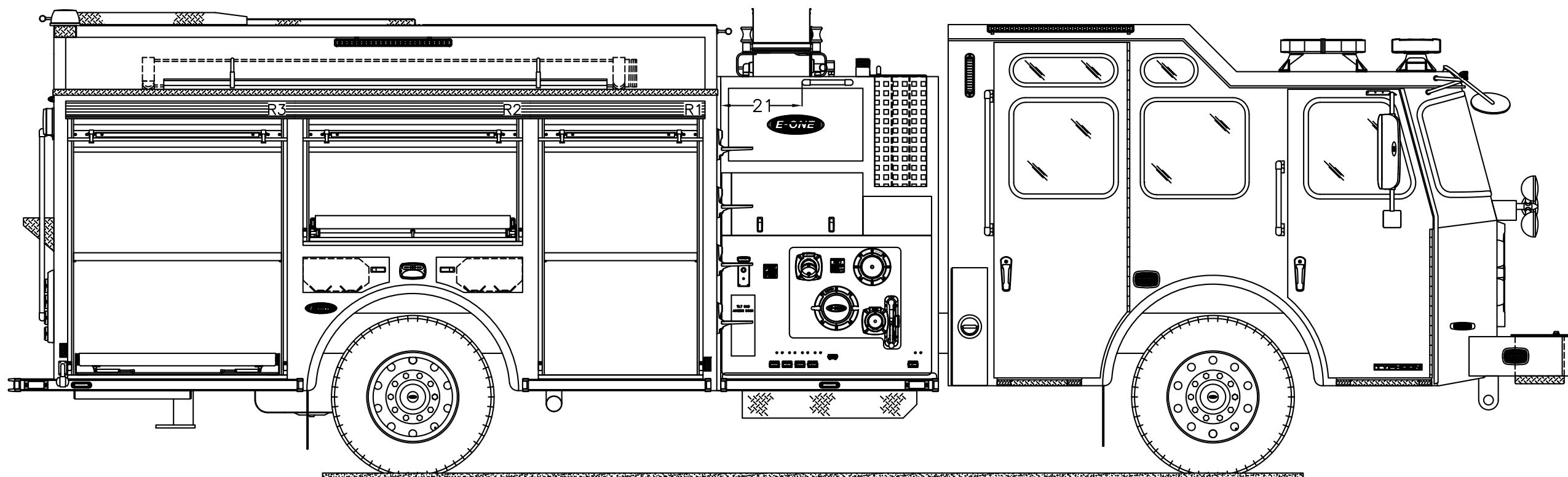
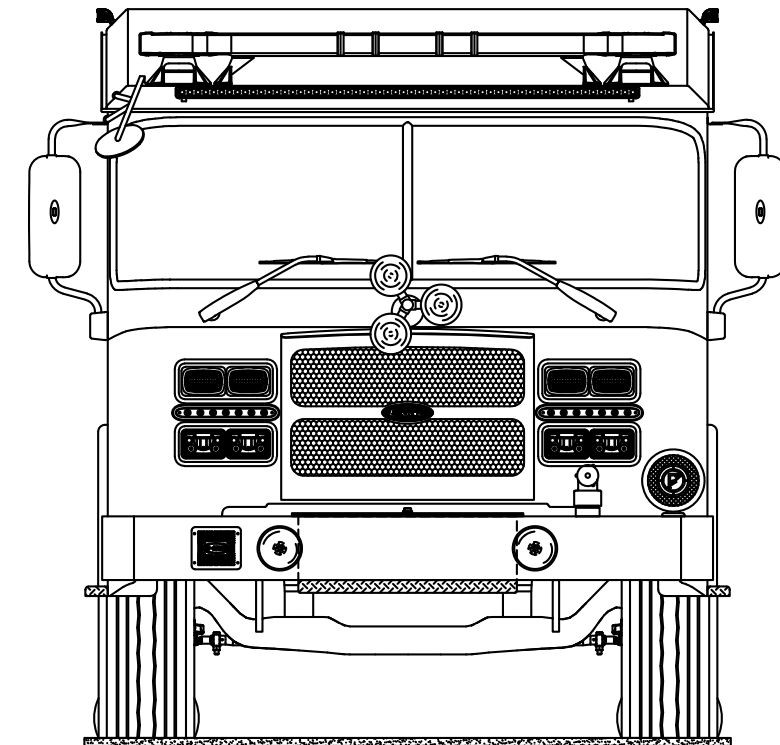




BLOOMSBURG F.D.
BLOOMSBURG, PA
S.O. 144710 / Q105875
PUMPER
TYPHOON 4X2 CHASSIS

THIS DRAWING IS FOR REFERENCE PURPOSES. ALL DIMENSIONS ARE SUBJECT TO MINOR VARIATIONS DUE TO MANUFACTURING PROCESSES.

This print is the property of E-ONE, Inc. and is loaned to you subject to return on demand, unless otherwise agreed to in writing by E-ONE, Inc. Its contents are confidential and must not be copied or submitted to third parties for use or examination.



APPROVED	A.S	ACTION ITEMS	2021-JUN-03	APPROVED
DRAWN BY	REV	DESCRIPTION	DATE	APPROVED
APPROVAL REVISIONS				SHEET 2 OF 2