

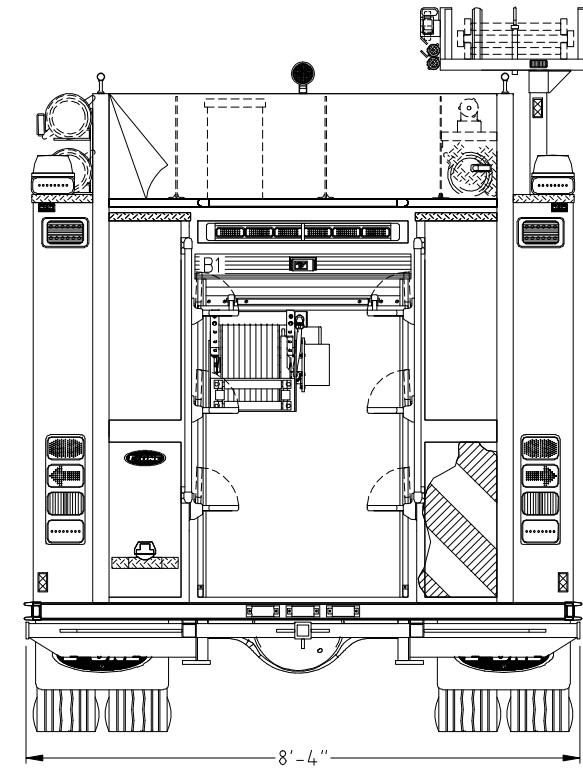
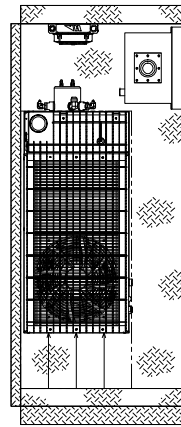
TOPTON VOLUNTEER FIRE CO. 1
TOPTON, PA
 SO#137761 / Q52954
CUSTOM 42 RESCUE PUMPER
E-ONE TYPHOON X LONG CAB 4X2 CHASSIS

2000 GPM HALE QMAX MIDSHIP PUMP		HOSE LOAD:			
1030 GALLON POLY III WATER TANK		600' OF 3.00" DJ			
15KW SMARTPOWER LIBERATOR XRT HYDR GEN		1500' OF 5.00" LDH			
		200' OF 2.50" DJ			
COMPT.	OPENING	INTERIOR DIMENSION			
L1/R1	40W 59H	42W 3H 12D	UPPER		
		42W 56H 26D	LOWER		
L2	54W 25H	56W 3H 12D	UPPER		
		56W 22H 26D	LOWER		
R2	31W 25H	33W 3H 12D	UPPER		
		33W 22H 26D	LOWER		
L3/R3	54W 59H	42W 3H 12D	FRONT UPPER		
		42W 56H 26D	FRONT LOWER		
		14W 3H 10D	REAR UPPER		
		14W 56H 24D	REAR LOWER		
B1	36W 52H	38W 52H	26D		

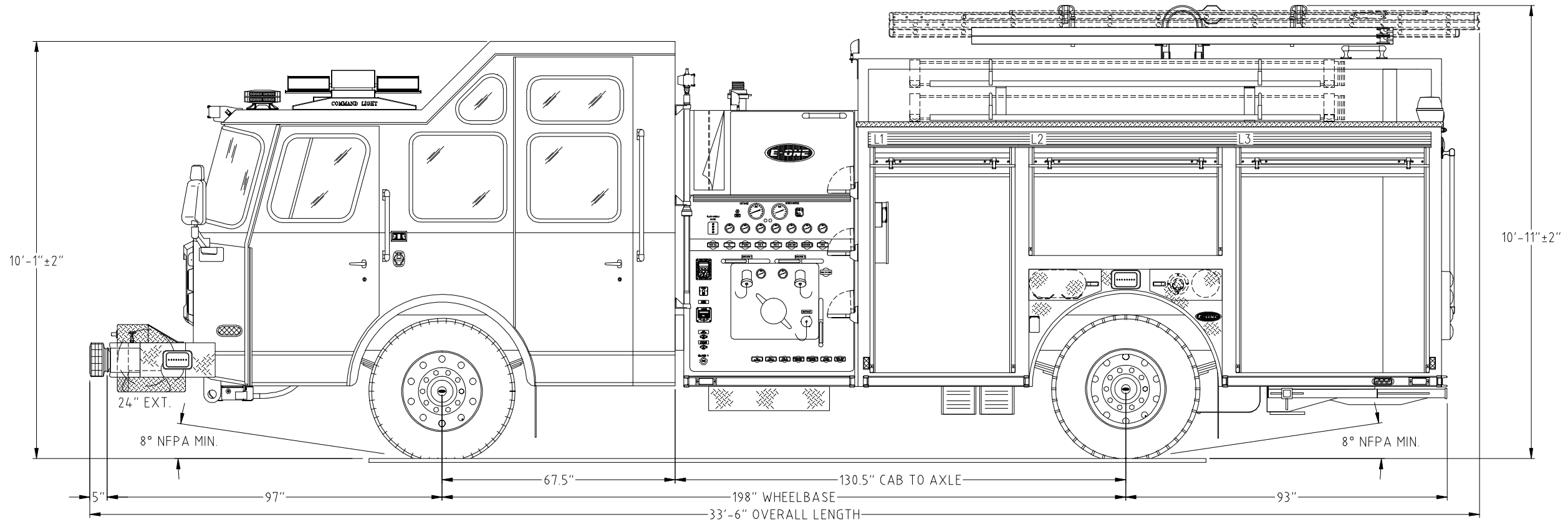
THIS DRAWING IS FOR REFERENCE PURPOSES. ALL DIMENSIONS ARE SUBJECT TO MINOR VARIATIONS DUE TO MANUFACTURING PROCESSES.

APPROVED FOR PRODUCTION

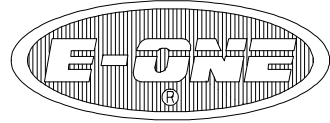
DESIGNER: _____ DATE: 10/08/12



HOSEBED HEIGHT:
 (FOR REFERENCE ONLY)
 TO TAILBOARD: 73"
 TO GROUND: 97"



WH	B	RFP RELEASE	2012-OCT-08	WH
DMS/WH	A	INITIAL RELEASE	2012-SEPT-12	WH
DRAWN BY	REV	DESCRIPTION	DATE	APPROVED
PROPOSAL REVISIONS				SHEET 3 OF 3

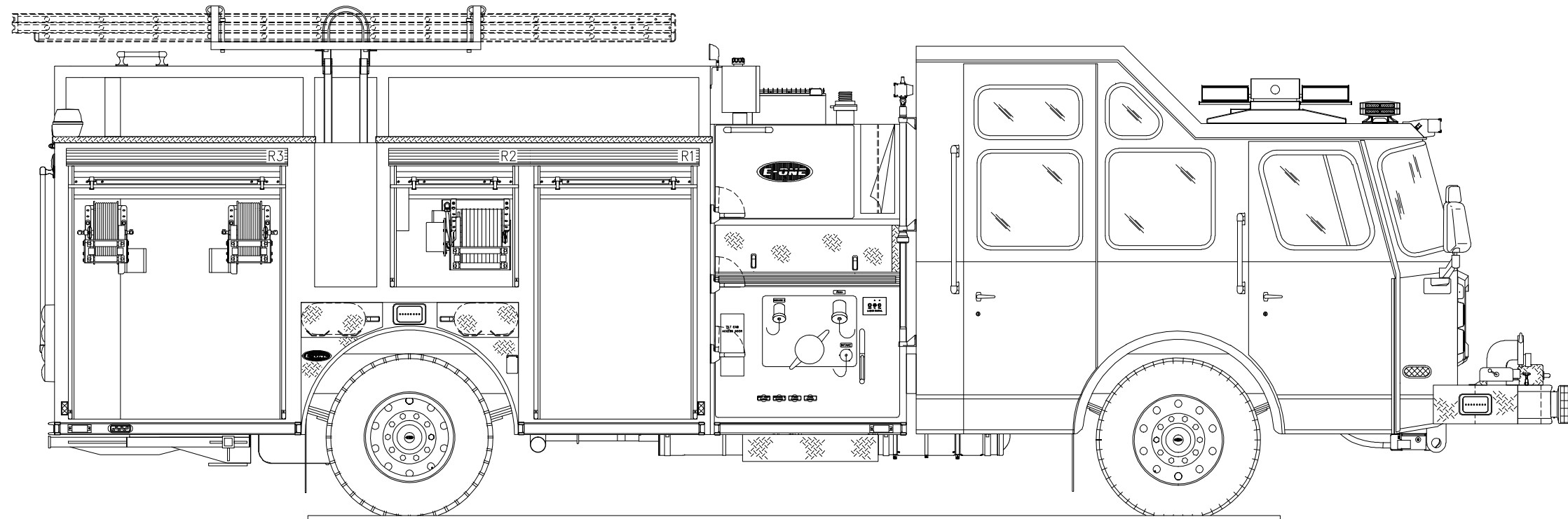
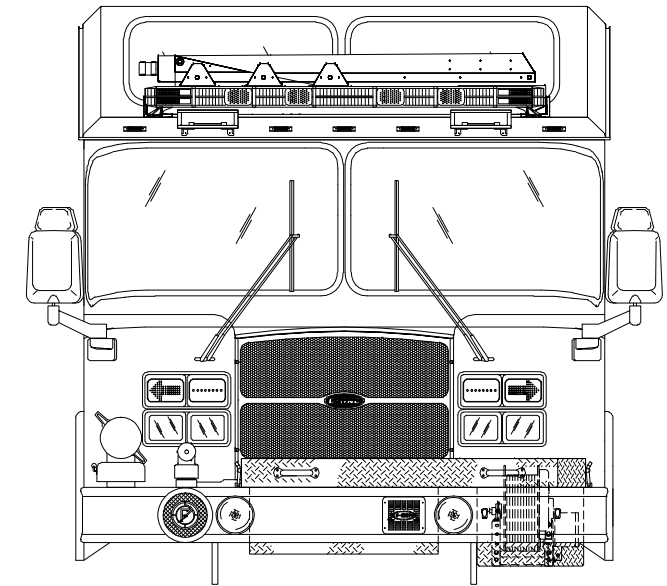


TOPTON VOLUNTEER FIRE CO. 1
TOPTON, PA
SO#137761 / Q52954
CUSTOM 42 RESCUE PUMPER
E-ONE TYPHOON X LONG CAB 4X2 CHASSIS

THIS DRAWING IS FOR REFERENCE PURPOSES. ALL DIMENSIONS ARE
 SUBJECT TO MINOR VARIATIONS DUE TO MANUFACTURING PROCESSES.

APPROVED FOR PRODUCTION

DESIGNER: _____ DATE: 10/08/12



WH	B	RFP RELEASE	2012-OCT-08	WH
DWG/VH	A	INITIAL RELEASE	2012-SEPT-12	WH
DRAWN BY	REV	DESCRIPTION	DATE	APPROVED
		APPROVAL REVISIONS		SHEET 2 OF 2