



LUMBERTON VOLUNTEER FIRE DEPARTMENT LUMBERTON, NJ

S.O. 147226 / Q125275

PUMPER
TYPHOON 4X2 CHASSIS

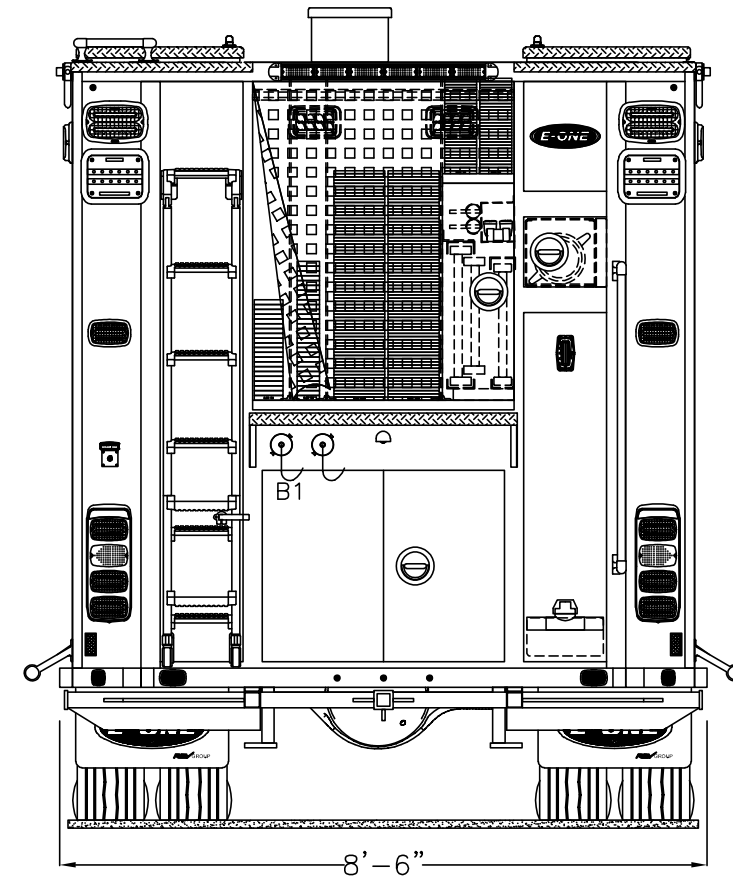
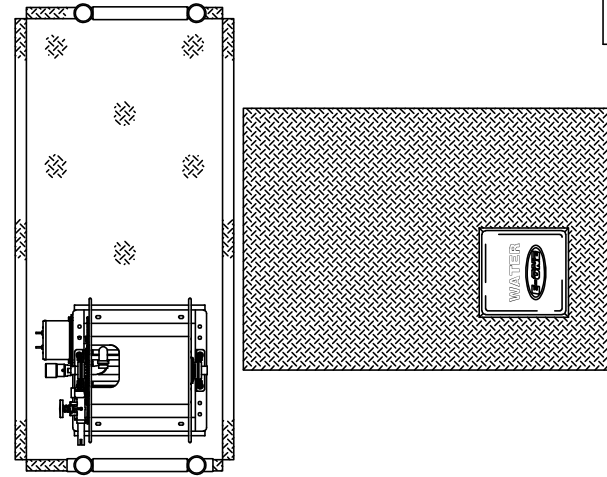
2000 GPM HALE QMAX PUMP 780 GALLON WATER TANK		HOSE LOAD:	
		200' OF 2.50" DJ	
		300' OF 2.00" DJ	
		1000' OF 5.00" LDH	
		300' OF 3.00" DJ	
COMPT.	OPENING	INTERIOR DIMENSION	
L1/L3	56W 68H	56W 12H 12D UPPER	56W 56H 26D LOWER
L2/R2	56W 34H	56W 12H 12D UPPER	56W 22H 26D LOWER
R1/R3	56W 68H	56W 12H 12D UPPER	56W 56H 26D LOWER
B1	38W 30H	38W 30H	28D

THIS DRAWING IS FOR REFERENCE PURPOSES. ALL DIMENSIONS ARE SUBJECT TO MINOR VARIATIONS DUE TO MANUFACTURING PROCESSES.

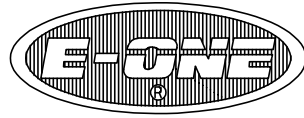
(FOR INTERNAL SALES PURPOSES ONLY)

DEALER APPROVAL _____ DATE _____ AS IS
CUSTOMER APPROVAL _____ DATE _____ WITH REVISIONS

HOSEBED HEIGHT:
(FOR REFERENCE ONLY)
TO TAILBOARD: 42"
TO GROUND: 66±2"



AHOWELL	A.2	ORDER REVIEW 2	2024-FEB-23	AHOWELL
DRAWN BY	REV	DESCRIPTION	DATE	APPROVED
		APPROVAL REVISIONS		SHEET 1 OF 2



LUMBERTON VOLUNTEER FIRE DEPARTMENT

LUMBERTON, NJ

S.O. 147226 / Q125275

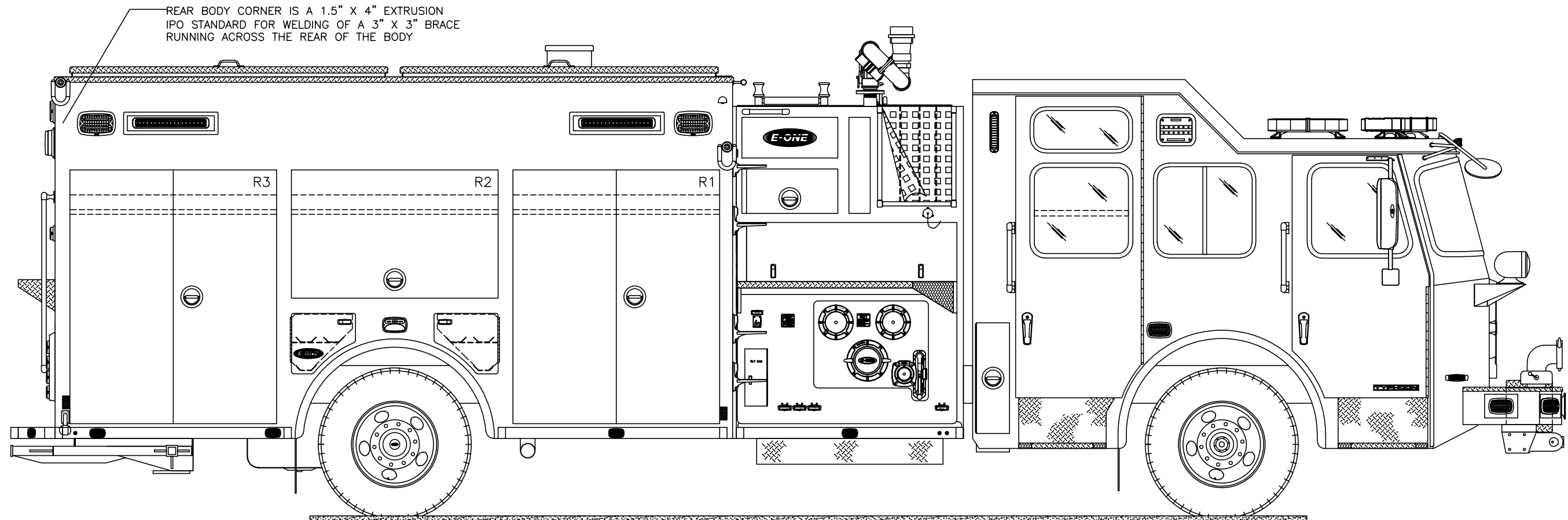
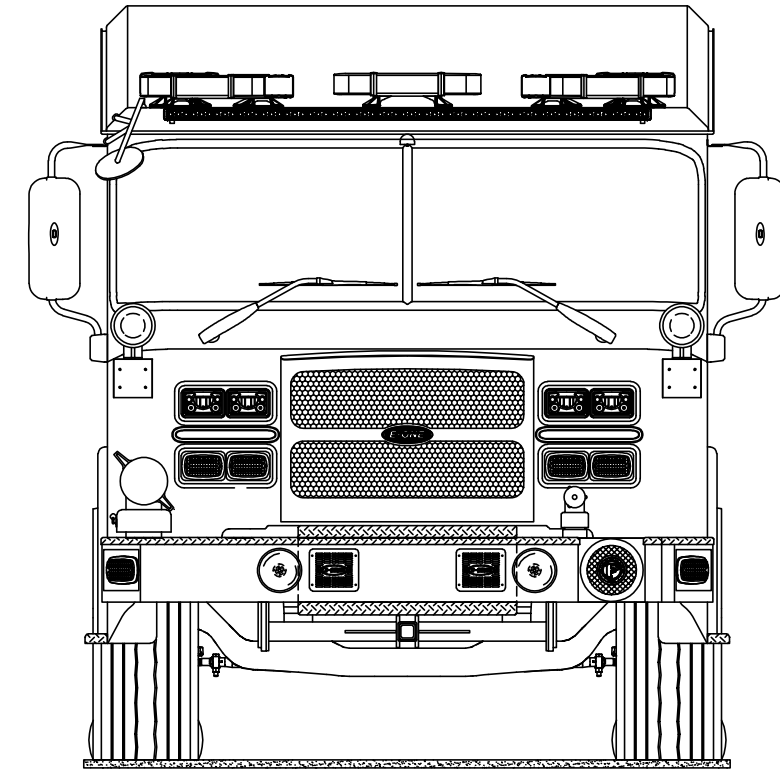
PUMPER

TYPHOON 4X2 CHASSIS

THIS DRAWING IS FOR REFERENCE PURPOSES. ALL DIMENSIONS ARE SUBJECT TO MINOR VARIATIONS DUE TO MANUFACTURING PROCESSES.

(FOR INTERNAL SALES PURPOSES ONLY)

DEALER APPROVAL _____	DATE _____	<input type="checkbox"/> AS IS
CUSTOMER APPROVAL _____	DATE _____	<input type="checkbox"/> WITH REVISIONS



AHOWELL	A.2	ORDER REVIEW 2	2024-FEB-23	AHOWELL
DRAWN BY	REV	DESCRIPTION	DATE	APPROVED
		APPROVAL REVISIONS		SHEET 2 OF 2