

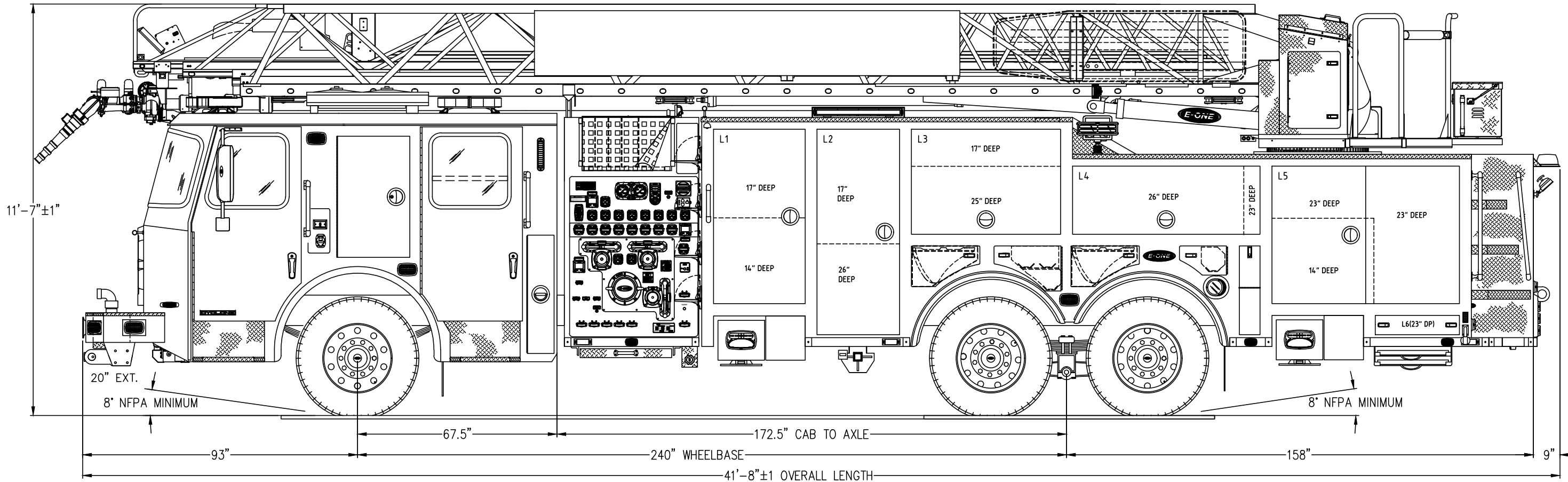
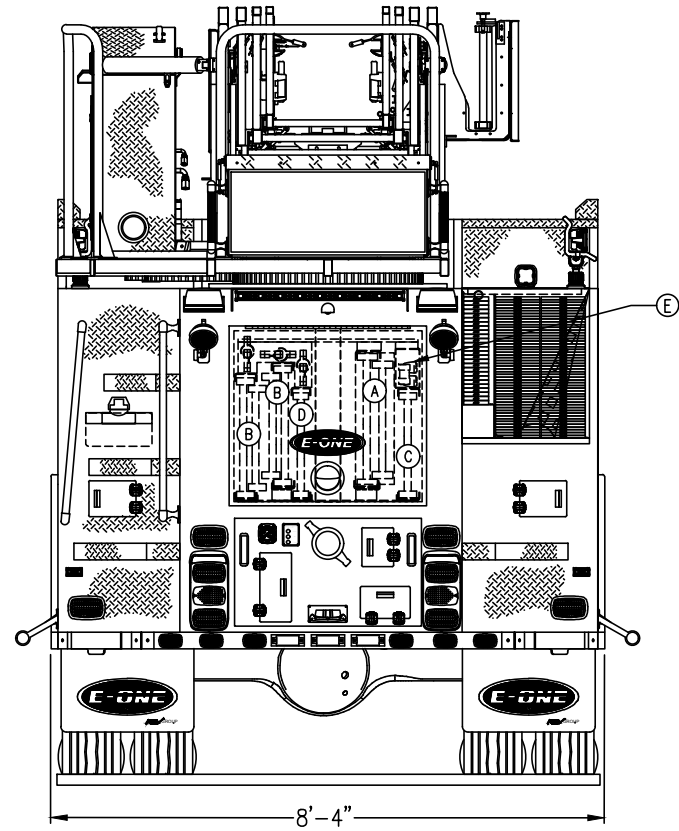
WESTAMPTON TWP. EMER. SERV.
WESTAMPTON, NJ
SO.146470/Q120182
AERIAL BODY
E-ONE CYCLONE CHASSIS
HR100 AERIAL LADDER

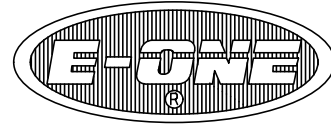
THIS DRAWING IS FOR REFERENCE PURPOSES. ALL DIMENSIONS ARE SUBJECT TO MINOR VARIATIONS DUE TO MANUFACTURING PROCESSES.

This print is the property of E-ONE, Inc. and is loaned to you subject to return on demand, unless otherwise agreed to in writing by E-ONE, Inc. Its contents are confidential and must not be copied or submitted to third parties for use or examination.

2000 GPM HALE QMAX PUMP		HOSE LOAD:	
500 GALLON WATER TANK		250' OF 2.50" DJ	
		700' OF 5.00" LDH	
COMPT.	OPENING	INTERIOR DIMENSION	
L1/R1	31W 59H	31W 30H 17D	UPPER
		31W 29H 14D	LOWER
L2/R2	28W 69H	28W 38H 17D	UPPER
		28W 31H 26D	LOWER
L3	50W 35H	50W 12H 17D	UPPER
		50W 23H 25D	LOWER
R3	50W 35H	50W 12H 17D	UPPER
		50W 23H 26D	LOWER
L4	63W 23H	63W 23H	NOTED
R4	31W 19H	31W 19H	14D
L5	63W 46H	63W 46H	NOTED
R5	28W 30H	28W 30H	23D
L6	28W 6H	28W 6H	23D
GROUND LADDERS			
ITEM	LADDER LENGTH	MODEL NUMBER	QTY
A	35' 2-SECT.	1200-A 35'	1
B	24' 2-SECT.	900-A 24'	2
C	16' ROOF	875-DR 16'	1
D	14' ROOF	775-DR 14'	2
E	10' FOLDING	585-A 10'	1

ONE ON AERIAL

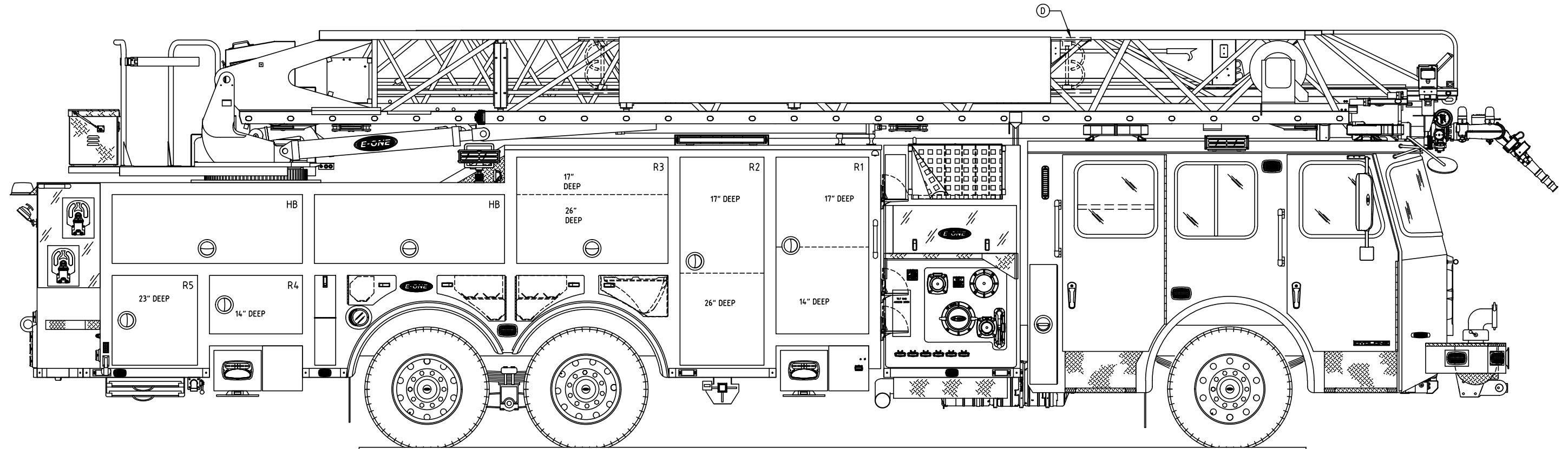
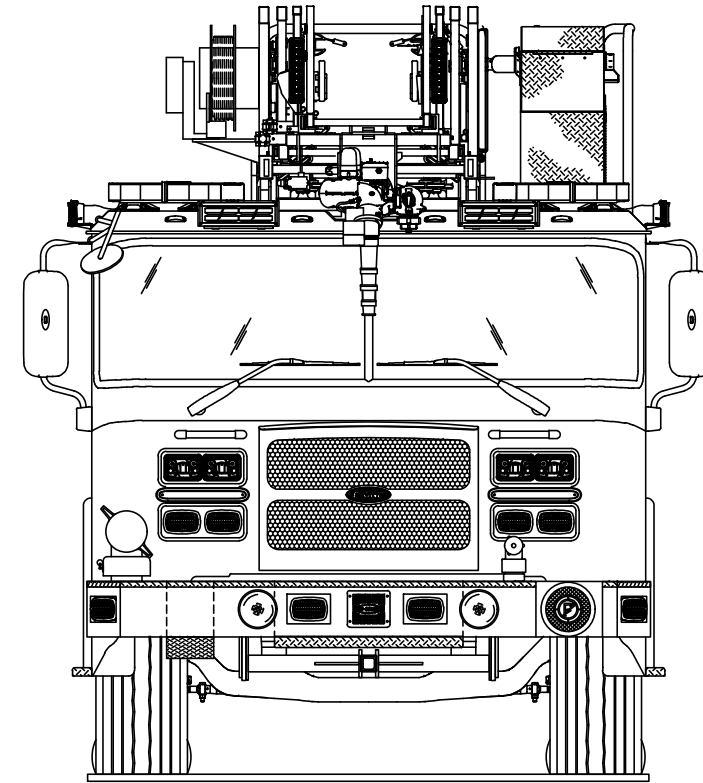




WESTAMPTON TWP. EMER. SERV.
WESTAMPTON, NJ
SO.146470/Q120182
AERIAL BODY
E-ONE CYCLONE CHASSIS
HR100 AERIAL LADDER

THIS DRAWING IS FOR REFERENCE PURPOSES. ALL DIMENSIONS ARE SUBJECT TO MINOR VARIATIONS DUE TO MANUFACTURING PROCESSES.

This print is the property of E-ONE, Inc. and is loaned to you subject to return on demand, unless otherwise agreed to in writing by E-ONE, Inc. Its contents are confidential and must not be copied or submitted to third parties for use or examination.



STRANDER	A	INITIAL RELEASE	2023-MAR-06	STRANDER
DRAWN BY	REV	DESCRIPTION	DATE	APPROVED
		PROPOSAL REVISIONS		SHEET 2 OF 2